



Protecting what's
important to you



SeceuroShield
Physical Security

ARROW 
SECURITY SHUTTERS

Tel. 0800 633 5736



SeceuroShield 150 (Vented Slats) white Finish

Welcome to the SeceuroShield range of physical security products

SeceuroShield physical security products have been protecting properties since 1985.

Although often overlooked, securing your property provides peace of mind by protecting the things that matter most to you, whether that's your home and family or your business and consequently your livelihood. With so much choice, choosing a security product that most suits your needs can seem like a daunting task but SeceuroShield industry leading products address all requirements and are manufactured, supplied and installed by industry experts who are there to offer advice and guidance beginning with your initial enquiry through to installation and after care.

Besides securing your property, many SeceuroShield products offer other benefits such as insulation and sound proofing, ventilation, or increased advertising space for your business by use of special graphics.

The emphasis behind our range of shutter and gate designs is on integration into your building and way of life; unobtrusive, attractive and easy to use. Proudly manufactured in the UK and installed to complement the look of the building, SeceuroShield products ensure they are effective and secure in daily use.

All products are supplied and installed through your local approved distributor who will be able to offer expert guidance and advice to ensure a tailor made solution.

All SeceuroShield products are:

- ✓ Made to measure for a tailor made security solution
- ✓ Manufactured in the UK
- ✓ CE Marked – Investing in a CE marked product means you are purchasing a product that is fully compliant with all European directives
- ✓ Designed to integrate security seamlessly into a building
- ✓ Approved LPCB and Secured By Design products available

Versatile security

Security facts – did you know...

"The goal of physical security is to convince potential attackers that the likely cost of attack exceeds the value of making the attack in the first place."

Wikipedia

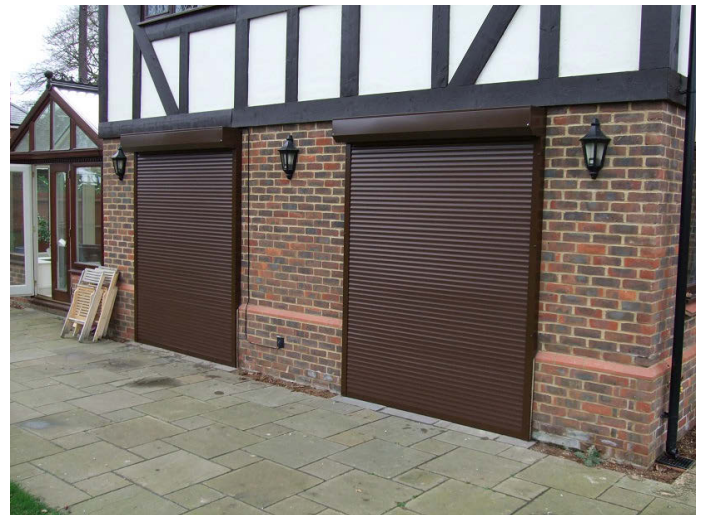
*"Crime costs businesses **£19 billion** annually."*

British Chamber of Commerce

*"Every **37 seconds** a house in Britain is burgled."*

*"Retail crime cost **£14 billion** in 2011."*

*"Prevention is always better than cure. **Always Deter, Delay, Detect, Deny.**"*



SeceuroShield 150 (solid slats) Brown Finish

Need some guidance?

Contact us
for more information.



Protecting What's Important to You

"We're not worried about leaving our house during the summer."



Residential

Total peace of mind for you and your family.

What I need:

- Feel secure without compromising the look or style of my property
- Have peace of mind that my property is secure
- Reduce heat loss through windows and doors
- Be cool in the summer and warm in the winter
- To darken a room at the touch of a button
- Protect fabrics and furnishings from sun damage

According to British Crime Survey figures, there were an estimated 744,000 domestic burglaries carried out in England and Wales in 2008/2009.

SecuroShield has a solution

Our homes are not simply the place in which we live; they are our most precious assets and a haven from the world outside. Research has shown that houses without any form of security are three times as likely to be broken into than homes with security systems. Therefore, protecting our homes has never been more important.

The SecuroShield range of products combines easy operation with high performance to offer numerous options for any home. With a choice of insulated slats, extensive colours and even products which can be removed when not in use, security which blends into your lifestyle and the look of your home is more achievable than you may think.

Residential Choice

- ✓ LPCB approved and SBD products available
- ✓ Insulated shutters providing shading and heat retention
- ✓ Electric or manual
- ✓ Built-in or Built-on products
- ✓ Seamless integration
- ✓ Touch button control

1. **Roller Shutter Assembly:** The roller shutter typically consists of horizontal slats made of durable aluminium material. These slats are connected to each other and are wound around a roller at the top of the opening.

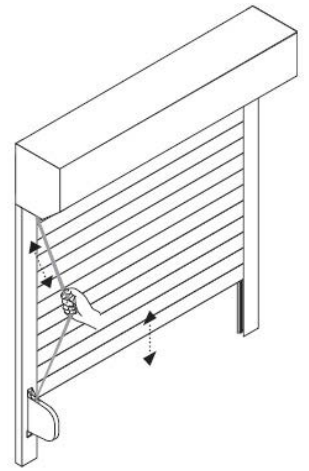
2. **Belt Mechanism:** Instead of using a traditional crank or motorized mechanism, a belt-operated roller shutter uses a belt to raise and lower the shutter. This belt is usually made of nylon.

3. **Pulley System:** Inside the roller shutter assembly, there is a pulley system that guides the movement of the belt. The belt is threaded through these pulleys in such a way that pulling on one end of the belt causes the roller to rotate, raising or lowering the shutter.

4. **Operation:** To operate the belt-operated roller shutter, you typically have a strap attached to one end of the belt. By pulling down on the strap, you apply tension to the belt, which in turn rotates the roller. As the roller turns, it winds up the shutter, raising it to open the window or door. To close the shutter, you simply reverse the process by pulling the strap in the opposite direction, causing the roller to unwind and lower the shutter.

5. **Locking Mechanism:** Many belt-operated roller shutters come with a locking mechanism to secure the shutter in place when it's fully closed. This provides added security and helps prevent unauthorized access.

Belt Operated



1. **Roller Shutter Assembly:** Like the belt-operated version, the roller shutter assembly consists of horizontal slats connected to each other, wound around a roller at the top of the opening.

2. **Crank Handle Mechanism:** Instead of a belt, this type of roller shutter utilizes a crank handle mechanism for operation. The crank handle is typically attached to a shaft, which is connected to gears inside the roller shutter assembly.

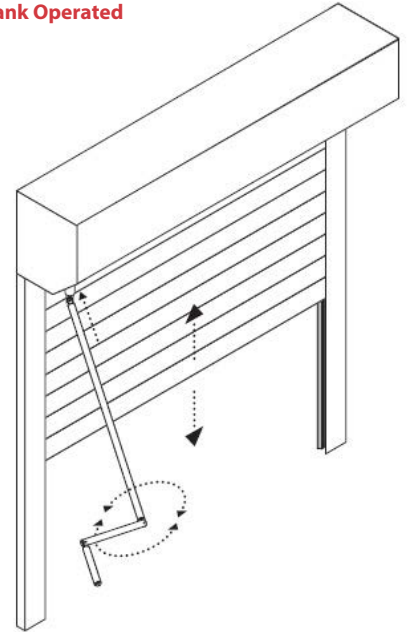
3. **Gear System:** Inside the roller shutter assembly, there is a set of gears that connect the crank handle to the roller. When you turn the crank handle, it rotates the shaft, which in turn rotates the gears. These gears translate the rotational motion of the crank handle into linear motion, causing the roller to either wind up or unwind the shutter.

4. **Operation:** To open the roller shutter, you simply turn the crank handle in one direction. As you turn the handle, the gears inside the assembly engage and rotate, causing the roller to wind up the shutter, raising it to open the window or door. To close the shutter, you turn the crank handle in the opposite direction, causing the roller to unwind and lower the shutter.

5. **Locking Mechanism:** Similar to the belt-operated version, crank handle-operated roller shutters often come with a locking mechanism to secure the shutter in place when it's fully closed, providing added security and peace of mind.

In summary, a crank handle-operated roller shutter provides a manual way to control the opening and closing of windows or doors, using a crank handle mechanism to smoothly raise and lower the shutter as needed.

Crank Operated



1. **Electric Motor:** Instead of manual operation, an electrically operated roller shutter is equipped with an electric motor. This motor is typically installed within the roller shutter assembly.

2. **Control System:** Electric roller shutters come with a control system that allows you to operate them conveniently. This control system can include wall-mounted switches, remote controls, or even smartphone apps depending on the sophistication of the system.

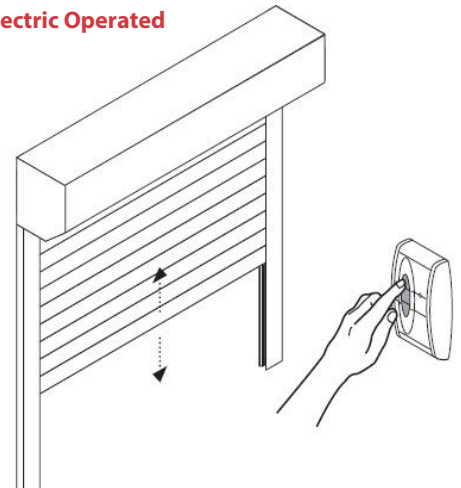
3. **Operation:** To open or close the roller shutter, you simply activate the electric motor using the control system. When you press the appropriate button or command, the electric motor engages and rotates, causing the roller to either wind up or unwind the shutter. The motor's movement is translated into linear motion, lifting or lowering the shutter smoothly.

4. **Safety Features:** Electric roller shutters often come with safety features such as release stop buttons. These buttons can be pressed or released if there's anything obstructing the path of the shutter while it's closing, prompting it to stop and reverse to prevent damage or injury.

5. **Power Source:** Electric roller shutters require a power source to operate. They are typically wired into the building's electrical system, although some models may be battery-powered or equipped with backup power sources in case of outages.

In summary, an electrically operated roller shutter provides a convenient and automated way to control the opening and closing of windows or doors, using an electric motor and control system to raise and lower the shutter with ease.

Electric Operated



1. **Spring Mechanism:** The key component of a spring and lock-operated roller shutter is the spring mechanism. This usually consists of a torsion spring or a series of tension springs installed within the roller shutter assembly. The springs are wound tightly when the shutter is closed.

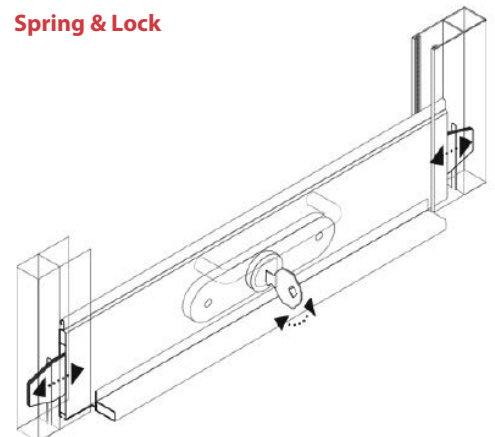
2. **Locking Mechanism:** Unlike other types, the spring and lock-operated roller shutter doesn't rely on external handles or motors for operation. Instead, it's typically operated manually by releasing a locking mechanism. This can be a simple latch or lock located near the bottom of the shutter.

3. **Operation:** To open the roller shutter, you manually release the locking mechanism. Once the lock is disengaged, the stored energy in the tightly wound springs causes the roller to unwind, allowing the shutter to raise itself automatically. The force generated by the springs lifts the shutter smoothly and efficiently.

4. **Closing and Locking:** To close the shutter, you manually pull it down until it reaches the desired position. Once in place, you engage the locking mechanism to secure the shutter in the closed position. This can be a simple process of latching the lock back into place.

5. **No Power Requirement:** One of the advantages of a spring and lock-operated roller shutter is that it doesn't require any external power source, making it ideal for situations where electricity may not be available or reliable.

Spring & Lock



All you need to know about powered roller shutters



Somfy radio motors explained

A Somfy radio or RTS motor looks very similar to a standard motor. The main difference between the two is as follows:

- The motor is powered by a standard 230Vac mains supply feed
- RTS motors have a radio receiver built into the head of the motor
- Minimum shutter width: 860 mm



Operation of RTS roller shutters is recommended to be in line of sight for safety. A risk assessment should be carried out if the shutter is operated out of line of sight. Doorways should use the SeceuroSmart remote system with safety devices.



Altus RTS (non over-ride)

RTS tubular motor

- Electronic limits
- Integral radio receiver
- Compatible with RTS controls
- Available up to 50NM

LT50 CSI RTS (over-ride)

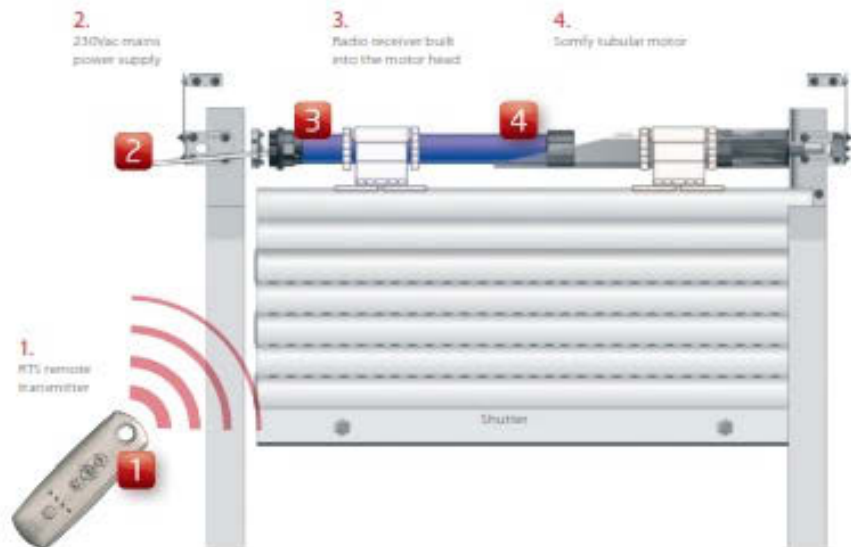
RTS tubular motor

- Rapid set push button limits
- Integral radio receiver
- Compatible with RTS controls
- Available up to 50NM

How does it work?

Installing, setting up and using a RTS powered roller shutter is very simple:

1. Connect the 230Vac mains supply to the motor and isolate other RTS motors in the group
2. Carry out a simple programming procedure to set the roller shutter direction and upper/lower limit positions using the RTS controller
3. Record a RTS control to the roller shutter and your done
4. Limit positions can be re-adjusted afterwards with the RTS control
5. New RTS controls can be added or removed as required



Somfy® Radio Technology Quality Assured

Radio Technology Somfy® is the market standard with over 4 million systems installed globally.

A secure communication protocol

RTS is completely secure. The RTS signal will transmit 200M in free space or 20M through two concrete walls. Radio signals between the motor and control are protected using rolling code encryption, ensuring that the signal is both very reliable and impossible to clone.

A motor you can rely on

Once you have completed your RTS motor programming, the information is safely stored in the memory of the motor. Once set, loss of power to the motor will not affect the information stored.

A flexible control solution

Up to 12 RTS controls can be stored per RTS motor – that's more than enough controls for even the most demanding of clients!

RTS motors require individual isolation during programming and the maximum number of motors which should be added to one controller is 8.



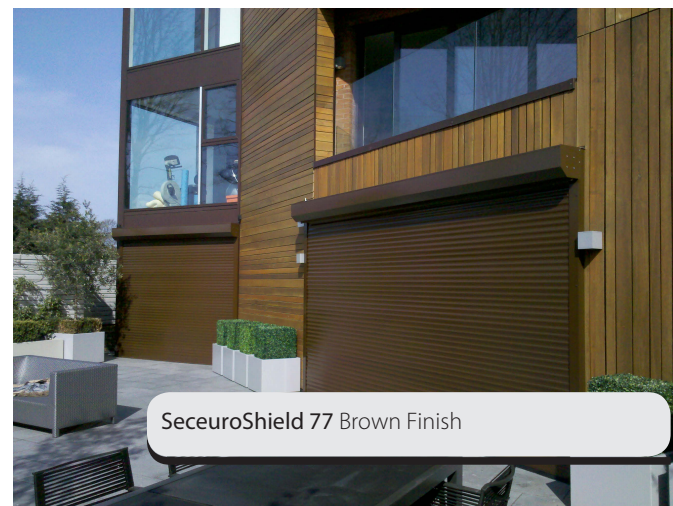
SeceuroShield 150 Cream Finish



SeceuroShield 77 Brown Finish



SeceuroShield 150 (Built-in)
Brown Finish



SeceuroShield 77 Brown Finish

SeceuroShield | 150 Built-In & Built-On Security Shutters

Built-on or built-in security shutter.



Lightweight

- CFC-Free foam filled rolled aluminium curtain profile
- Low to medium security applications
- Spans widths up to 3400 mm
- Effective heat and sound insulation
- Also used for shading and light control
- Lightweight therefore ideal for manual operation
- Vented slat option
- Flexible shading, light control and blackout
- Available with radio motors for home automation with wireless control
- Manual or electric operation

Choose me if:

- ✓ You are looking for a compact and attractive security solution
- ✓ You require shade and ventilation as well as security for your home or office
- ✓ You need your security to offer insulation and sound proofing
- ✓ The overall width is not greater than 3400 mm

SeceuroShield | 77 Built-On Security Shutters

Offering security and insulation.



- CFC-Free foam filled rolled aluminium profile
- Medium security for Domestic, commercial and retail premises
- Spans widths up to 5400 mm with effective heat and sound insulation
- Can be mixed with SeceuroVision 800 when partial vision is required
- The curtain material is available in up to 12 stock colours

Choose me if:

- ✓ You're looking for medium security
- ✓ You need your security with the added benefit of heat and sound insulation
- ✓ The overall width is not greater than 5400 mm
- ✓ Ideal for retail and commercial premises

Green credentials

Our insulated shutters provide more than just security, offering, shading, sound proofing and insulation they are ideal for both residential and commercial applications.

Reasons to Choose SeceuroShield

✓ A name you can trust

When buying a SeceuroShield shutter you can be reassured by the values behind the name. Every SeceuroShield shutter is CE marked and SWS UK is an ISO 9001:2008 assessed company.

✓ Expert advice

With a local expert on hand you can be confident in choosing a product that suits your needs and provides a seamless finish to your property.

✓ Manufactured in the UK

Using the latest machinery and equipment, all SeceuroShield security products are proudly manufactured and assembled in the UK.

✓ A solution for everyone

With so much choice SeceuroShield security products can accommodate almost any requirement. Whether you need a built-in or built-on solution, solid or vision or need security on a small budget.

✓ Engineered to perfection

Through continuous development and specialist engineering, SeceuroShield security products offer unrivalled quality and the most advanced specifications.

The importance of conformity and CE marking

To comply with the Machinery Directive both the shutter and the motor and controller used in the installation must have a **Declaration of Incorporation** from the manufacturer.

On completion of the installation the installer must provide a **Declaration of Conformity** and apply a CE mark giving details of the installation to the shutter / motor and controller combination, which is now classed as a machine.

The installer must issue to the customer a Declaration of Conformity, maintenance and operation instructions on the completion of the installation.

The installer must hold copies of both the Declaration of Incorporation and the Declaration of Conformity on a technical file for inspection by the relevant authorities.

If any of the above requirements are not fulfilled the Installation is illegal.

Please ensure for your own safety and peace of mind that whoever installs your electric motor and controller is both willing and able to fulfil these requirements; if they are not – do not use them.

As a member of the DHF we CAN and WILL install your motor and controller safely and legally.

PG 7

Peace-of-Mind Warranties

All SeceuroShield products are guaranteed against defect of material or workmanship by, subject to correct installation, maintenance and operation, for a period of one year from the date of purchase. The SeceuroDrive Motor carries a 5 year guarantee.

CONTACT US

Website: www.arrowsecurityshutters.co.uk

Email: sales@arrowsecurityshutters.co.uk

Telephone: 0800 633 5736

Registered office: Arrow Security Shutters Limited. Paragon Business Park, Chorley New Road, Horwich. Bolton. BL6 6HG. Registered in England: 4156177