



PVC Strip Curtains

Bird Proofing - Heat Retention - Noise Reduction



ARROW 
SECURITY SHUTTERS
Tel. 0800 633 5736



Welcome to the PVC strip curtain range of energy efficient products

Arrow Security Shutters have been supplying heavy duty PVC strip curtains since 2001.

PVC Strip curtains are so efficient that they will normally save their installation costs every winter. Thousands of these low cost, energy efficient products are in use by industries in Great Britain, saving millions of pounds in wasted heat, yet never impeding access.

Each door or curtain is designed to suit the prevailing weather conditions and your individual requirements. Lightweight strip with a small degree of overlap for internal pedestrian doors or heavy grade PVC with maximum overlap in most exposed doorways. In addition to their energy-saving properties, PVC screens can also be used to control the spread of airborne pollutants, dust, spray, fumes and noise

Strip curtains are available in various lengths, widths and thicknesses to suit all environments

PVC strip curtains provide a barrier against insects, dust, debris and litter from entering a factory or warehouse through open doorways

Typical Applications:

- ✓ Warehouses
- ✓ Commercial Kitchens
- ✓ Walk in fridges
- ✓ Freezers
- ✓ Cold rooms
- ✓ Loading bays
- ✓ Farm environments

High Efficiency Features

Energy Saving...

We supply a range of strip, sheet and hanging systems, guaranteeing that every customer can order precisely the right product, for internal or external use, for pedestrians or vehicular access and for any size of doorway or screen.

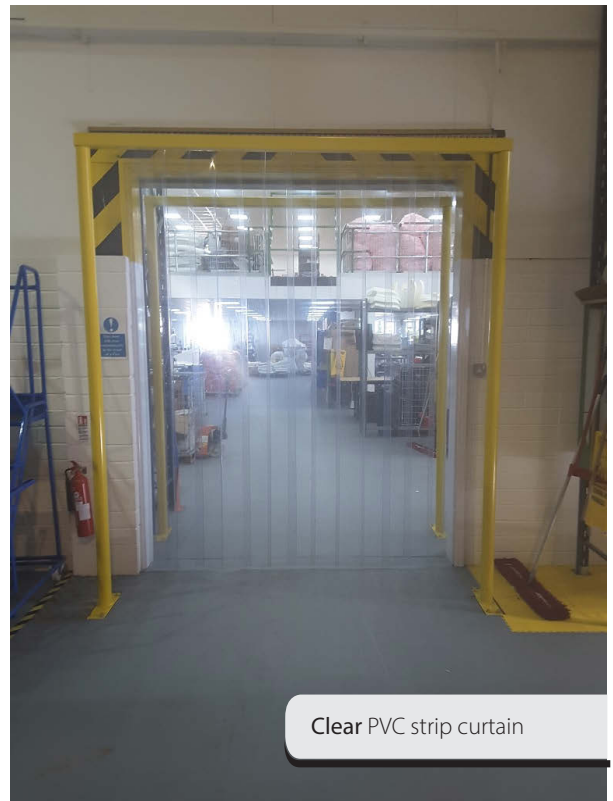
Features include the use of top quality extruded PVC strip with safe rounded edges, available in a wide selection of sizes, flexible twin track hanging systems, tough non-rust aluminium fittings and individual, independently hung strips to allow easy adjustment or replacement. Curtains can be mounted on sliding track to provide summer ventilation or access for fragile products.

With five strip sizes from 200mm x 2mm up to 400mm x 4mm, there is a strip to fit every application. Narrow, lightweight strip is most suitable for pedestrian use, because it is easy to push aside. Wider, thicker strip is more robust for vehicular use and is also more efficient for blocking draughts and heat loss. Heavier weight strip is particularly essential in exposed locations, where the effectiveness of lighter strip may be affected by strong winds.

Need some guidance?

Contact Us Today!

Email: sales@arrowsecurityshutters.co.uk - Tel: 0800 633 5736



Cold Stores Walk-in fridge and freezer



Retail

Large stocks available for fast delivery.....

What I need:

- **Temperature Control:** PVC strip curtains help to maintain consistent temperatures inside the store by preventing cold air loss or warm air infiltration, which is crucial for preserving perishable food items.
- **Energy Efficiency:** By acting as a barrier against air exchange, PVC strip curtains reduce energy costs by minimising the workload on heating or cooling systems.
- **Insect and Pest Prevention:** The barrier created by PVC curtains helps keep insects, pests, and rodents out of the store, thus ensuring hygiene and food safety standards are met.
- **Noise Reduction:** PVC strip curtains can help dampen noise from outside sources, providing a quieter shopping environment for customers and a more comfortable working environment for staff.
- **Dust Control:** They effectively block dust and airborne particles from entering the store, contributing to a cleaner and more sanitary environment.
- **Easy Access:** PVC strip curtains allow for easy passage of people, shopping carts, and goods without the need for manual opening and closing doors, thus improving efficiency and convenience.
- **Visibility:** Unlike solid doors, PVC strip curtains offer visibility into the store, allowing customers to see inside and promoting a welcoming atmosphere.
- **Durability:** PVC strip curtains are durable and resistant to impact, abrasion, and tearing, ensuring long-term reliability even in high-traffic areas.



*Taylor made to
fit any size door*

Retailer Choice

- ✓ **Compliance:** using PVC strip curtains can help food stores comply with health and safety regulations by providing an effective barrier against contaminants while still allowing for easy access and visibility.



Factories

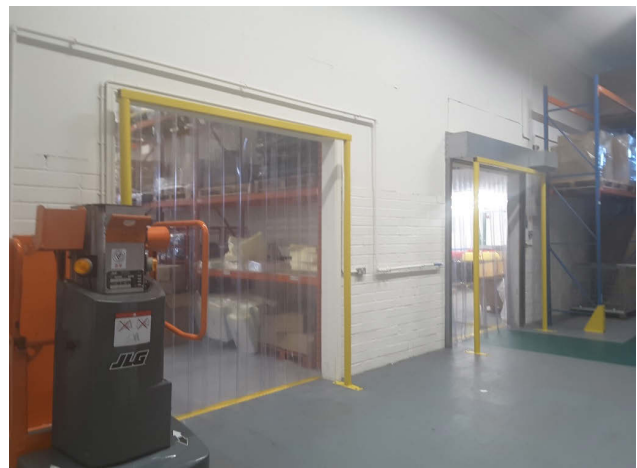
ideal partitioning walls

- Customizable: They come in various sizes and Configurations, allowing for customisation to fit the specific dimensions of the doorway or opening, ensuring perfect fit and optimal performance.

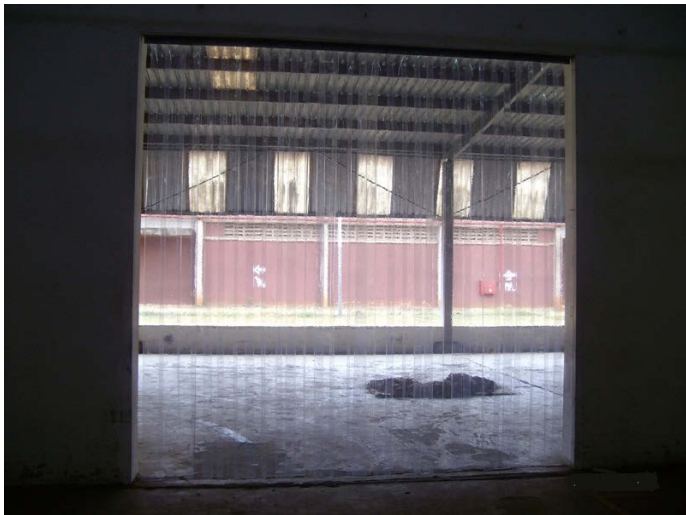


Factory & Business Choice

- ✓ Available for both internal and external installation
- ✓ Supplied and Installed by your local expert
- ✓ Colour matching for seamless integration



Warehouse - Energy Efficiency



Warehouse

Consistent temperatures inside the warehouse

What I need:

- **Temperature Regulation:** PVC strip curtains help to maintain consistent temperatures inside the warehouse by minimising heat loss or heat gain, which is crucial for storing temperature-sensitive goods.
- **Energy Efficiency:** By acting as a barrier against air exchange, PVC strip curtains reduce energy costs by minimizing the workload on heating, ventilation, and air conditioning (HVAC) systems.
- **Dust and Debris Control:** They effectively block dust, debris, and airborne particles from entering the warehouse, helping to keep stored goods clean and reducing the need for frequent cleaning.
- **Insect and Pest Prevention:** PVC strip curtains create a barrier that deters insects, pests, and rodents from entering the warehouse, this helping to protect stored goods from contamination and damage.
- **Noise Reduction:** PVC strip curtains can help dampen noise from outside sources, providing a quieter working environment for warehouse staff and improving overall workplace comfort.
- **Safety:** They enhance safety in the warehouse by providing a clear delineation between different areas, such as loading docks and storage areas, reducing the risk of accidents and collisions.
- **Visibility:** Unlike solid doors, PVC strip curtains offer visibility into and out of the warehouse, allowing for easy monitoring of activities and promoting a safer working environment.
- **Easy Access:** PVC strip curtains allow for easy passage of goods, equipment, and vehicles in and out of the warehouse, without the need for manual opening and closing of doors, thus improving operational efficiency.
- **Durability:** PVC strip curtains are durable and resistant to impact, abrasion, and tearing, making them suitable for high-traffic areas and frequent use in warehouse environments.
- **Customizable:** They come in various sizes, thicknesses, and configurations, allowing for customization to fit the specific dimensions of the doorway or opening, ensuring a perfect fit and optimal performance for different warehouse setups.

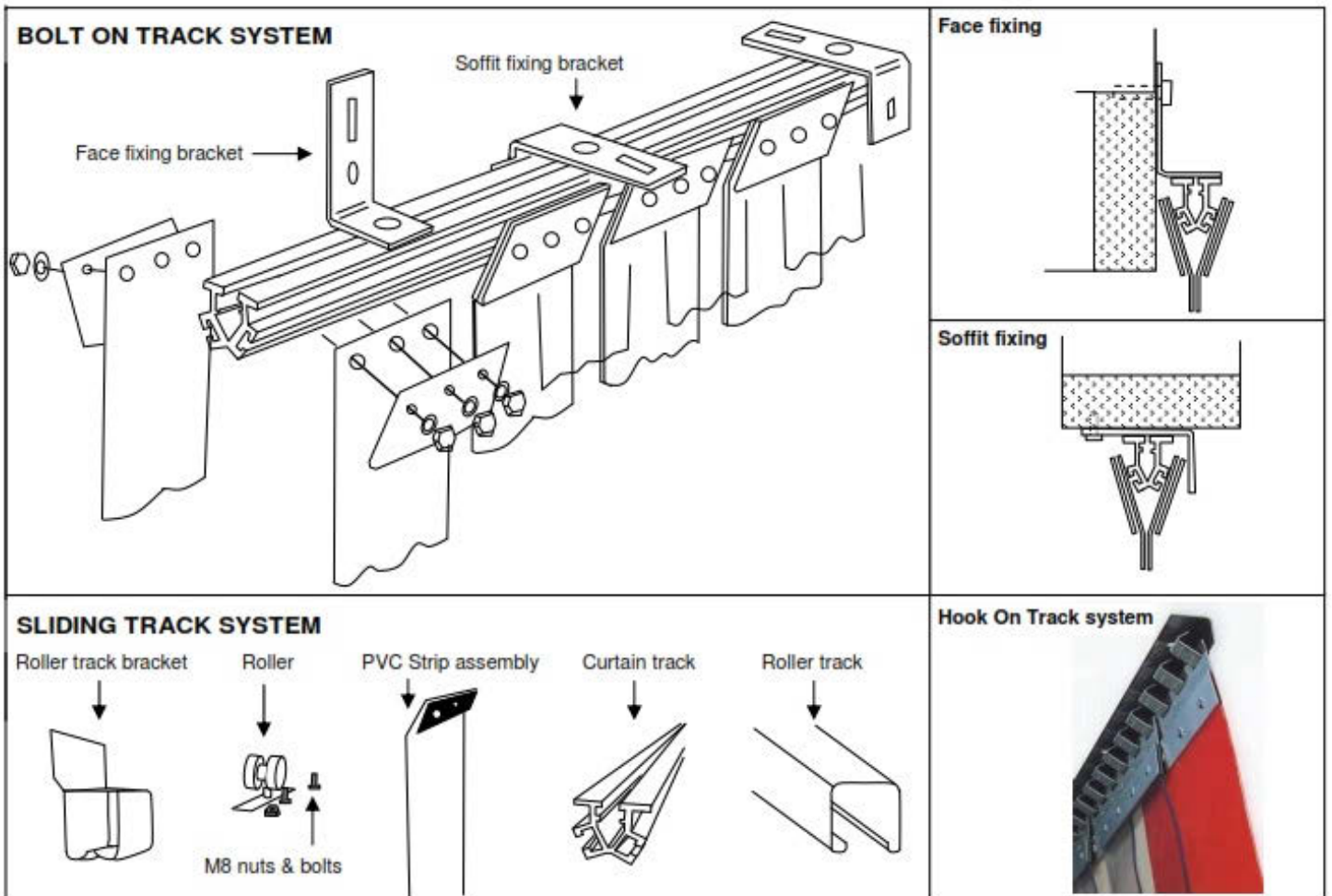
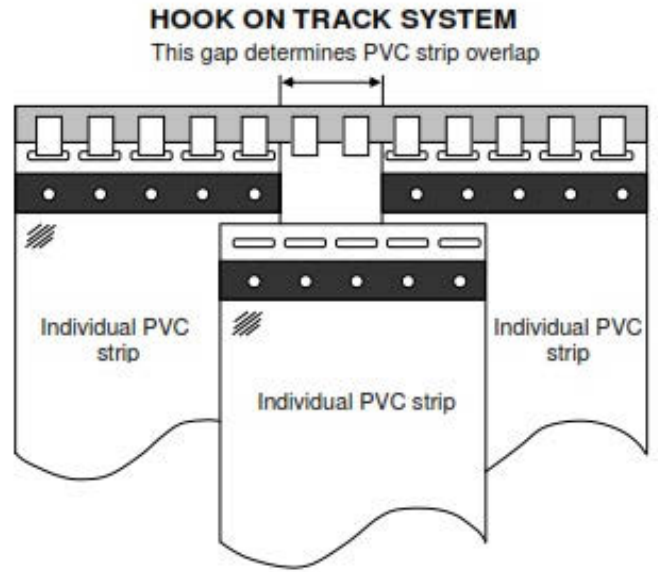


Choice

- ✓ Bird Proofing
- ✓ Heat Retention
- ✓ Noise Reduction

TRACK SYSTEM

- **PVC Strip Curtain Standard Size(s):** 200mm wide x 2mm depth and 400mm x 4mm depth (other sizes available)
- **Curtain Strip Colour:** Clear with red strips for each edge of the opening.
- **Curtain Styles:** Flat, ribbed or polar grade.
- **Curtain Overlap:** 0% 40% or 100%
- **Track Options:** Stainless steel (hook on or bolt on).
- **Designs:** Fixed hanging down curtain or sliding curtain.
- **Fixing methods:** Face fixing the track with brackets behind the lintel or reveal fixing the track with brackets under the lintel.
- **Description:** Features including the use of top quality extruded PVC strip with safe rounded edges, available in a wide selection of sizes, flexible twin track hanging systems. Tough non-rust fixings and individual independently hung strips to allow easy adjustment or replacement. curtains can be mounted on sliding track to provide summer ventilation.



Reasons to Choose Arrow Security Shutters

✓ A name you can trust

When buying a product you can be reassured by the values behind the name. With CE marked products.

✓ Expert advice

With a local expert on hand you can be confident in choosing a product that suits your needs and provides a seamless finish to your property.

✓ Manufactured in the UK

Using the latest machinery and equipment, all products are proudly manufactured and assembled in the UK.

✓ A solution for everyone

With so much choice Arrow's security products can accommodate almost any requirement. Whether you need a built-in or built-on solution, solid or vision or need security on a small budget.

✓ Engineered to perfection

Through continuous development and specialist engineering, security products offer unrivalled quality and the most advanced specifications.

The importance of conformity and CE marking

The installer must issue to the customer a Declaration of Conformity, maintenance and operation instructions on the completion of the installation.

The installer must hold copies of both the Declaration of Incorporation and the Declaration of Conformity on a technical file for inspection by the relevant authorities.

If any of the above requirements are not fulfilled the Installation is illegal.

Please ensure for your own safety and peace of mind that whoever installs is both willing and able to fulfil these requirements; if they are not – do not use them.

As a member of the DHF we CAN and WILL install your product(s) safely and legally.

Peace-of-Mind Warranties

All SeceuroShield products are guaranteed against defect of material or workmanship by, subject to correct installation, maintenance and operation, for a period of 2 years from the date of purchase. The SeceuroDrive Motor carries a 5 year guarantee.

CONTACT US

Website: www.arrowsecurityshutters.co.uk

Email: sales@arrowsecurityshutters.co.uk

Tel: 0800 633 5736



Registered office: Arrow Security Shutters Limited. Paragon Business Park, Chorley New Road, Horwich. Bolton. BL6 6HG. Registered in England: 4156177