

# 1001 Retractable Security Gate – Order Form

Email Order Form to: [sales@arrowsecurityshutters.co.uk](mailto:sales@arrowsecurityshutters.co.uk)

Tel: 0800 633 5736

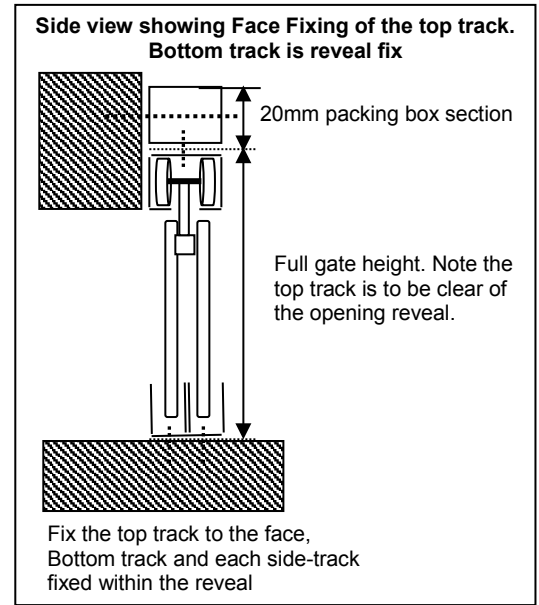
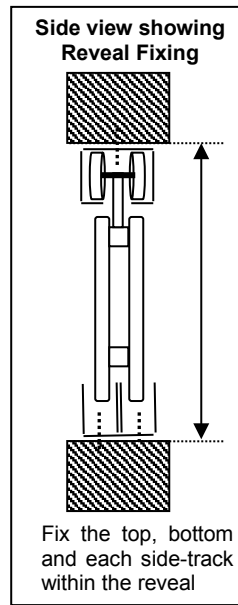
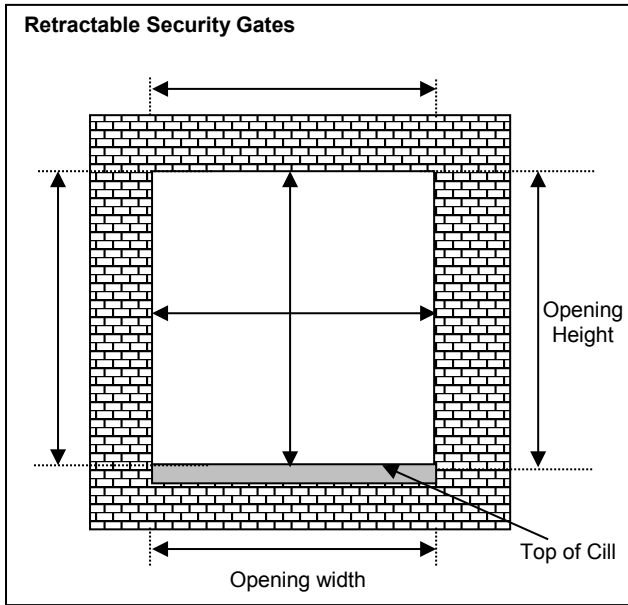
Customer:

Delivery Address:

## Self-Fit DIY gates that are pre-made and easy to fit

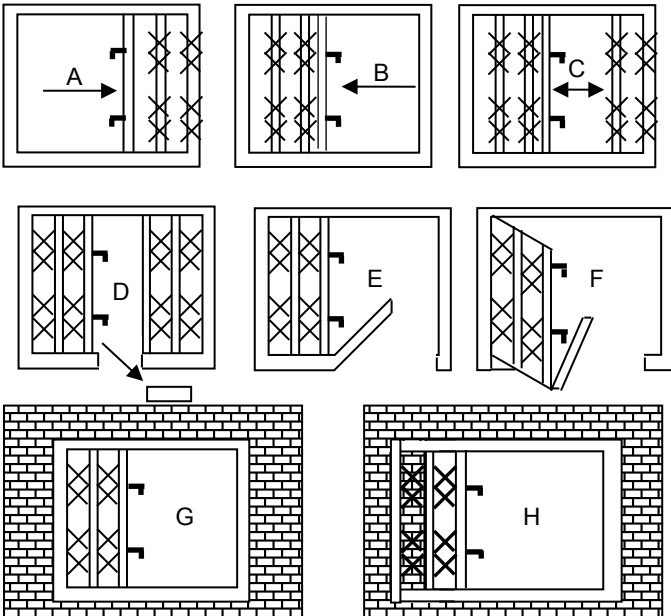
### How To Measure

The gates are normally installed within the reveal. However they can be installed on the face using aluminium powder coating 20mm packing box section. With the diagram below measure the six points within the reveal indicated by the arrows. Taking the tight smallest overall width and the tight smallest overall height. Enter these sizes and complete the options tick-box. The gates are designed to cover doors and windows. On doors a removable or lift up track may be required and on face fix gates the bunch can go past the opening if required.



**Options Tick Box:** With reveal fixing gates, **5mm** is to be deducted from the width and height of the opening to allow for tolerance. If face fixing 20mm packing box sections are required.

Item	Full Width of gate: With 5mm deducted (mm)	Full Height of gate: With 5mm deducted (mm)	Colour	Reveal Fix	Face Fix	20mm Packing box section for face fixing.
W1						
W2						
W3						
W4						



### Options Tick-box (Viewed from inside)

Gate design 'X' Lattice	
Gate design 'S' Lattice	
Single Sash (bunch to right)	A
Single Sash (bunch to left)	B
Bi-Parting Sash (double split)	C
Removable bottom track (lift out)	D
Folding Track (lifts up)	E
Hinge Aside (swinging sash)	F
Gate Bunch in the reveal (in the opening)	G
Gate Bunch past the reveal (past the opening)	H

Please send a photo of the opening you are covering and enter additional information here: