

Customer:

Delivery Address:

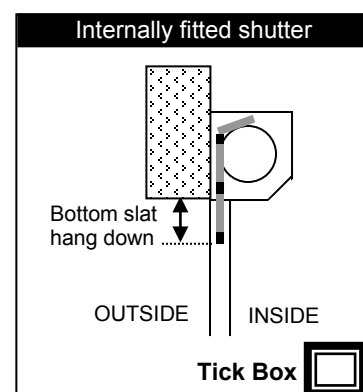
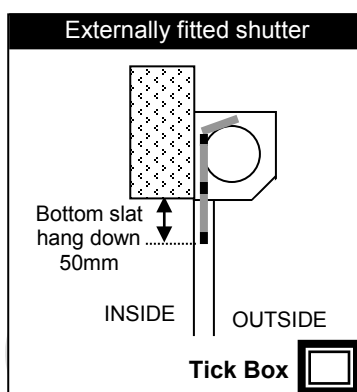
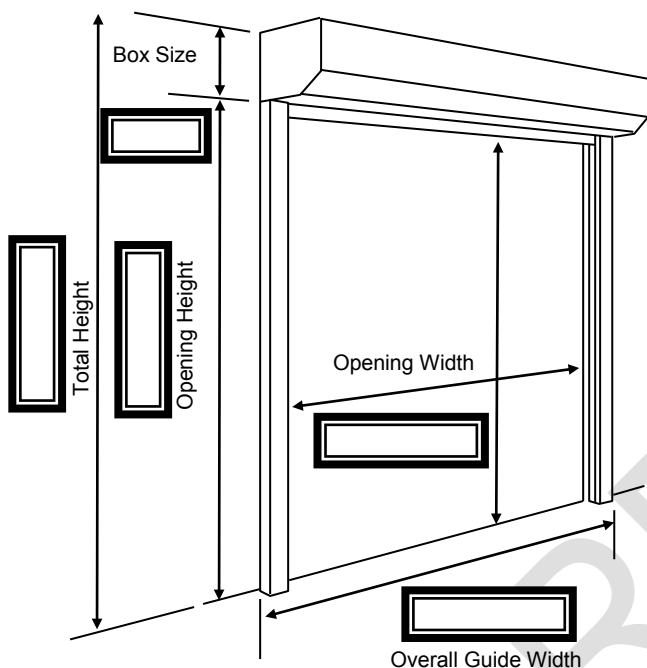
Self-Fit DIY shutters that are pre-made and easy to fit

How To Measure

- WIDTH:** Measure the width of the opening in three locations top middle and bottom. Use the smallest figure as your measurement
- HEIGHT:** Measure the height of the opening in two locations left and right sides top to bottom. Use the smallest figure as your measurement.
- Using the diagram below: Enter all the sizes. On face fix shutters the guide rails are set 90mm on from each edge of the opening width. If the door is to be fitted within the reveal (side Fix) of the opening the guide rails will be within the structural opening. Total height is opening height plus box.

Box Sizes (maximum shutter height including box for each box size)

Doors up to 2000mm high (box size 250mm) | Doors up to 2800mm high (box size 300mm)

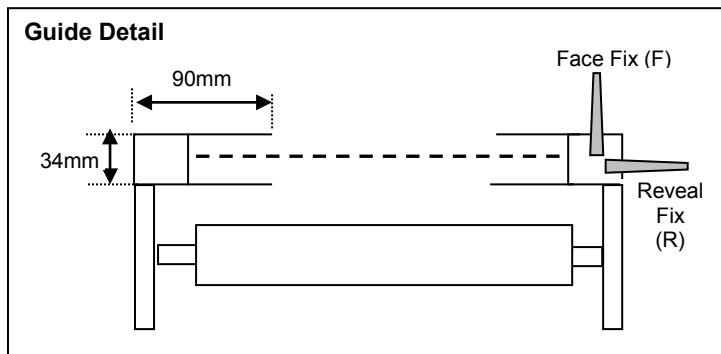
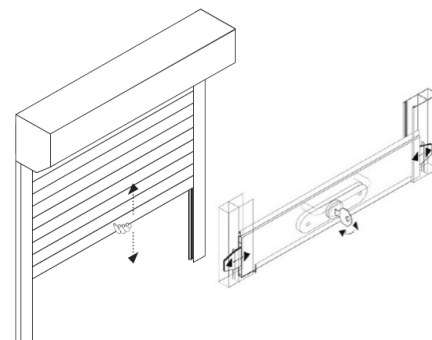


Total Height = Opening Height + box.
Guide Height = from bottom of shutter to underside of shutter box
Box size = See Box Sizes above.
Opening Height = from bottom of shutter guide to Underside of Box. (Clear opening height is less 50mm hangdown)
Opening Width = Width from inside of each guide rail.
Overall Guide Width = full width of shutter, outside of guide rails.
 Opening width + 90mm + 90mm for each guide rail

Options Tick-box

Solid Slats	Slat Colour	Bottom Slat Colour	Guide Rail Colour	Box Colour

Guide Fixing Face (F)	Guide Fixing Reveal (R)	Box Position above Opening	Box Position in Opening	Shutter is covering a window	Shutter is covering a doorway



Please send a photo of the opening you are covering and enter additional information here: