

# PVC Strip Ribbed – Order Form

Email Order Form to: [sales@arrowsecurityshutters.co.uk](mailto:sales@arrowsecurityshutters.co.uk)

**Customer:**

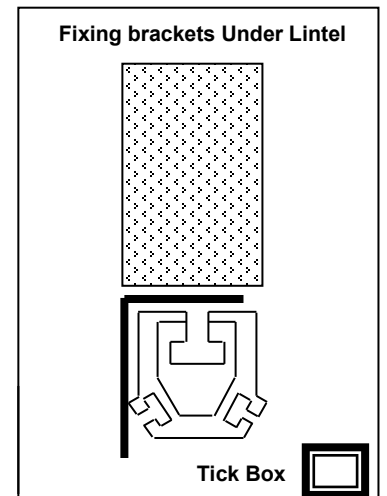
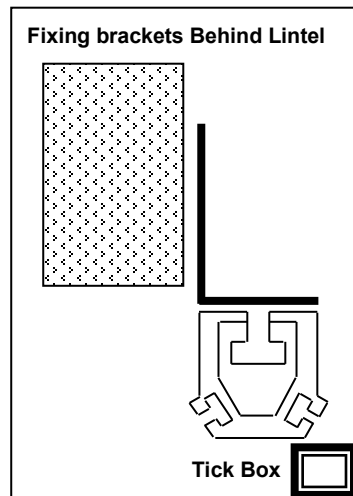
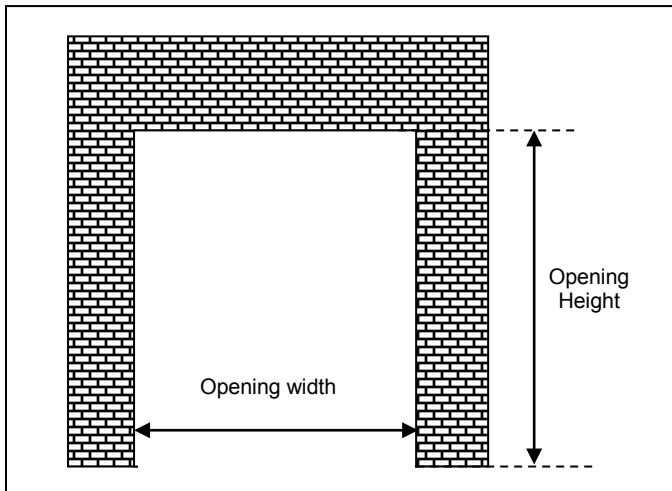
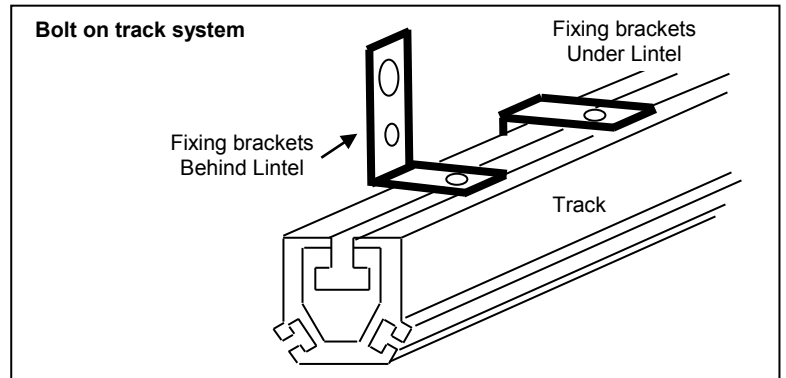
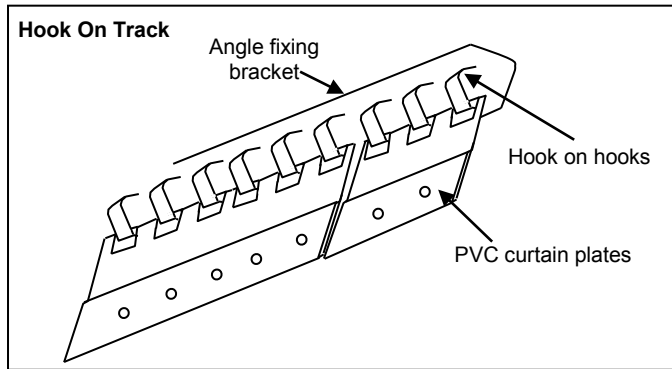
**Delivery Address:**

## Self-Fit DIY curtains that are pre-made and easy to fit

### How To Measure

Measure the structural opening width and the structural opening height. The fixing hanging brackets can be fixed behind lintel or under the lintel. Enter the sizes and complete the options tick-box

When all the strips are hung, there should be at least 10mm clearance between the bottom of the PVC strip and floor level.



Options Tick box:

Opening Width (mm)	Opening Height (mm)	Curtain Strip size 200mm x 2mm Ribbed	Curtain Strip size 400mm x 4mm Ribbed	Hook On system	Bolt On system	Overlap 50 or 100%	Red Side Strips

Hanging Position	
Fixed – Hangs Down	
Sliding – To Left of Opening	
Sliding – To Right of Opening	
Bi –Parting Split to Left and Right of Opening	

50mm x 50mm support box section required	
Support brackets Number required	

Please send a photo of the opening you are covering and enter additional information here: