

Steel Fire Exit Door Double Leaf – Order Form

Email Order Form to: sales@arrowsecurityshutters.co.uk

Customer:

Delivery Address:

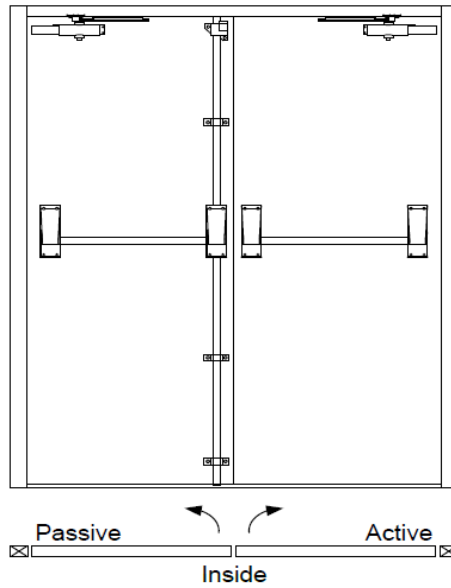
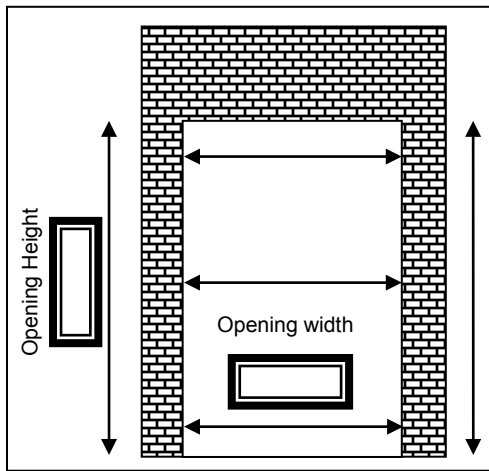
Self-Fit DIY doors that are pre-made and easy to fit

How To Measure

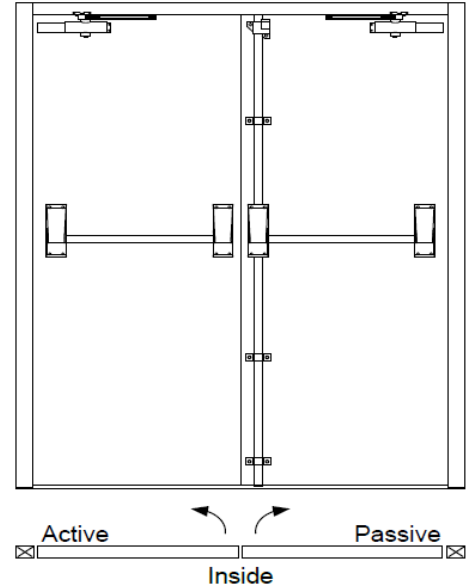
WIDTH: Measure the structural width of the opening in three locations top middle and bottom. Use the smallest figure as your measurement

HEIGHT: Measure the structural height of the opening in two locations left and right side top to bottom. Use the smallest figure as your measurement.

MADE TO MEASURE SIZES: select size width from 1630mm to 2830mm x select size height from 2100mm to 2950mm



Door Hinged Right Hand Active Out
View from INSIDE



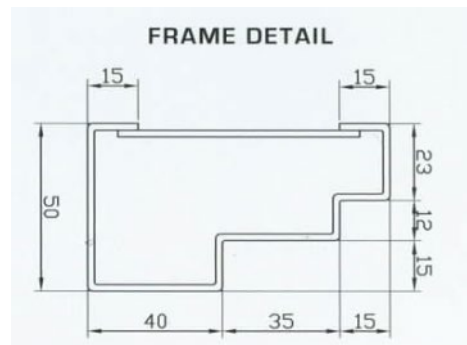
Door Hinged Left Hand Active Out
View from INSIDE

Options Tick box:

Opening Width (mm)	Opening Height (mm)	Door Hinged Right Hand	Door Hinged Left Hand	Colour	Frame size standard 90mm or 150mm	Select threshold standard or low
<input type="checkbox"/>	<input type="checkbox"/>	<input type="checkbox"/>	<input type="checkbox"/>	<input type="checkbox"/>	<input type="checkbox"/>	<input type="checkbox"/>

Additional Extras

Hardware - 5 Point panic briton	<input type="checkbox"/>
Hardware - Push pad with single point latch	<input type="checkbox"/>
Hardware - Outside locking	<input type="checkbox"/>
Hardware - Break glass	<input type="checkbox"/>
Closer - Dorma TS72 with hold open device	<input type="checkbox"/>
Closer - Dorma TS83	<input type="checkbox"/>
Closer - Dorma TS83 with hold open device	<input type="checkbox"/>
Closer - Briton 2130B	<input type="checkbox"/>
Closer - Door selector	<input type="checkbox"/>
Closer outward opening limit stay	<input type="checkbox"/>
Spy Viewer	<input type="checkbox"/>
Rain deflector	<input type="checkbox"/>
Top rain deflector	<input type="checkbox"/>
Brush strip 1m	<input type="checkbox"/>
Hook & Eye	<input type="checkbox"/>
Push Plate	<input type="checkbox"/>
Kick Plate	<input type="checkbox"/>
Side frame extension left	<input type="checkbox"/>
Side frame extension right	<input type="checkbox"/>
Side frame extension top	<input type="checkbox"/>



Please send a photo of the opening you are covering and enter additional information here:

Additional information input area.